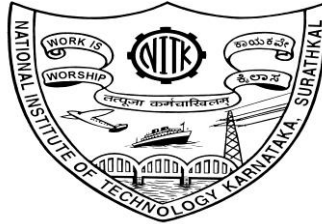


NATIONAL INSTITUTE OF TECHNOLOGY KARNATAKA, SURATHKAL

DEPARTMENT OF ELECTRICAL & ELECTRONICS ENGINEERING
POST SRINIVASNAGAR, MANGALORE – 575 025 (D K)

Phone: (0824) 2474000.
E- mail: info@nitk.ac.in

Fax: (0824) 2474033
Website: <http://www.nitk.ac.in>



NOTICE INVITING QUOTATION

Notification. No: NITK/EED/1827

Dated: 26-09-2024

Name of Goods	Lab Table Modification
-Estimated Amount	Rs. 3,60,000/- (inclusive of GST)
EMD Amount (2% of estimated amount) (Applicable for estimate above 2.5 lakhs)	Rs. 7,200/-
Time for Supply of item after release of Purchase order	30 Days
Document Download / Sale Start Date	26-09-2024
Clarification Start Date	26-09-2024
Clarification End Date	03-10-2024
Bid Submission Start Date	26-09-2024
Last Date for submission of bids	17-10-2024 before 3.00 PM
Bid Opening Date	18-10-2024, 11.00AM
Address for Submission of bids	Dr. Md Waseem Ahmad Assistant Professor Dept. of Electrical & Electronics Engineering NITK Surathkal-575025 Ph: 7753058434



NATIONAL INSTITUTE OF TECHNOLOGY KARNATAKA, SURATHKAL
DEPARTMENT OF ELECTRICAL & ELECTRONICS ENGINEERING
POST SRINIVASNAGAR, MANGALORE – 575 025

Phone: (0824) 2474000
E- mail: info@nitk.ac.in

Fax: (0824) 2474033
Website: <http://www.nitk.ac.in>

Notification No: NITK/EED/1827

Date: 26-09-2024

NOTICE INVITING QUOTATION (NIQ)

The National Institute of Technology Karnataka, Surathkal (in short – NITK, Surathkal) is an Institute Of National Importance Under Ministry of Education Govt of India, imparting Technical Education and engaged in Research Activities. It is proposed to procure the items for the departmental academic/research activities.

Sealed Quotations as per the Price Schedule given in this NIQ are invited for the following items subject to the terms and conditions, from the reputed manufacturers or its authorised dealers so as to reach on or before scheduled date and time. The quotations in the firm's Business letter head should be address to the "Director, NITK, Surathkal". The envelope shall be superscribed with the Quotation Notification Number and the Name of the Goods for which quotation is submitted.

Name of Goods	Lab Table Modification
Estimated Amount	Rs. 3,60,000/- (inclusive of GST)
EMD Amount (2% of estimated amount) (Applicable for estimate above 2.5 lakhs)	Rs. 7,200/-
Time for Supply of item after release of Purchase order	30 Days
Document Download / Sale Start Date	26-09-2024
Clarification Start Date	26-09-2024
Clarification End Date	03-10-2024
Bid Submission Start Date	26-09-2024
Last Date for submission of bids	17-10-2024 before 3.00 PM
Bid Opening Date	18-10-2024, 11.00AM

**Sd/-
HOD**

Note: Institute shall not be responsible for any postal delay about non-receipt /non-delivery of the bids or due to wrong addressee.

SECTION-1
Terms and Conditions

1. The rates should be quoted for preferably FOR destination from supply within India.
2. The bidder shall indicate the excise duty exemption for the goods if applicable.
3. The rate quoted should be on unit basis. Taxes and other charges should be quoted separately, considering exemptions if any. The rate should be quoted in INR only
4. Rate quoted should be inclusive of Testing, commissioning and Installation of equipment and Training.
5. Payment: No advance payment will be made. Payment will be made only after the supply of the item in good and satisfactory condition and receipt of performance security by supplier.
6. Guarantee/Warranty period should be specified for the complete period should be specified in section 3 of this tender document.
7. Period requirement for the supply and installation of item should be specified in section 3 of this tender document.
8. In case of dispute, the matter will be subject to Mangalore Jurisdiction only.
9. **Delivery Period:** The Delivery Period/Time shall be deemed to be the essence of the Contract and delivery must be completed not later than such date(s). If the Supplier does not perform its obligations within the Delivery Period/Date mentioned in the Contract, the same would constitute the breach of the Contract and the Institute shall have the right to cancel or withdraw the Contract for the unsupplied portion after the expiry of the original or extended delivery date or period stipulated in the Contract. Such cancellation of the contract on account of non - performance by the Supplier would entitle the Buyer to forfeit the EMD/Performance Security besides other actions such as debarment from the Institute as per GFR 2017.
10. **Liquidated Damages:** Timely delivery is the essence of the contract and hence if the Supplier fails to deliver Goods within the original/extended delivery period(s) specified in the contract, the Institute will be entitled to deduct/recover the Liquidated Damages for the delay, unless covered under Force Majeure conditions aforesaid, @ **1% per week or part of the week of the delayed period** as pre-estimated damages not exceeding 5% of the contract value without any controversy/dispute of any sort whatsoever.
11. The bidder needs to comply with restrictions under rule No 144 (xi) of GFR (General Financial Rules) 2017 and the clause pertaining to Public Procurement Division Order (Public Procurement no 1,2 & 3 vide ref. F.No.6/18/2019-PPD dated 23.07.2020 and 24.07.2020 of Dept of Expenditure (DOE), Ministry of Finance). In this Connection Bidder has to submit Self Certification (as per Annexure A or B), depending on the status of the bidder.
12. The bidder needs to submit a Self-certification in line with Make in India, Public Procurement Order No. P-45021/2/2017-BE-II dt. 15.06.2017, P 45021/2/2017-PP (BE-II) dated 28.05.2018, P-45021/2/2017-PP (BE-II) dated 29.05.2019 and P45021/2/2017- PP (BE – II) dated 16.09.2020 of DPIIT, Ministry of Commerce & Industry.

The Bidder who will not meet this criterion will be rejected in the technical bid. The Self-certification should be provided as per Annexure C.

13. EMD must be in the form of Bank Guarantee **Annexure-D** (Fixed Deposit Receipt/Insurance surety bonds/DD/e-Payment mode (through Credit/Debit cards / Net Banking). It will be valid for 180 days from the date of opening of the tender. In case of EMD payment made through E-Payment, UTR Number with details should be uploaded. The firm registered with MSME/NSIC as per MSME procurement policy order 2012 will be exempted from submission of EMD. Intended parties will have to give proof of registration along with their tender. EMD of the unsuccessful bidders shall be refunded without any interest at the earliest after finalization of the purchase of the concerned item.
 - a. The EMD will be returned to the BIDDERS(s) whose offer is not accepted by NITK within one month from the date of the placing of the purchase order(s) on the selected BIDDER(s). In the case of the BIDDER(s) whose offer is accepted the EMD will be returned on submission of Performance Security in the form of Bank Guarantee (BG). However, if the return of EMD is delayed for any reason, no interest/penalty shall be payable to the Bidders.
 - b. The successful BIDDER, on the award of contract/order, must send the contract/order acceptance in writing, within 15 days of award of contract/order failing which the EMD will be forfeited.
 - c. The EMD shall be forfeited in case a successful BIDDER fails to furnish the Performance Security.
 - d. Bidder should prepare the EMD as per the instructions specified in the tender document. The original EMD should be posted/couriered/given in person to the concerned official, latest by the last date of bid submission as specified in the tender documents. The details of the BG/DD/FD/any other accepted instrument, physically sent, should tally with the details available in the scanned copy and the data entered during bid submission time. Otherwise, the uploaded bid will be rejected.
14. **Performance Security:** The successful bidder shall deposit performance security of 3% of the quoted price in the form of Bank Guarantee (**ANNEXURE-E**) / Demand Draft / Fixed Deposit Receipt of any scheduled bank drawn in favour of **The Director, NITK Surathkal, Mangaluru** payable at Mangaluru. In case the bidder fails to deposit the said Performance Security within the stipulated period, including the extended period if any, the Earnest Money Deposited by the bidder shall be forfeited automatically without any notice. Please note the following points:
 - a. **Successful bidder should submit performance Security as prescribed above to the purchase Section, NITK Surathkal, on or before 30 days from the date of issue of order acknowledgment.**
 - b. Performance Security shall be for the due and faithful performance of the contract and shall remain binding, notwithstanding such variations, alterations for extensions of time as may be made, given, conceded, or agreed to between the successful bidder and the purchaser under the terms and conditions of acceptance to tender.

c. The successful bidder is entirely responsible for the due performance of the contract in all respects according to the terms and conditions of the tender.

d. The validity of the Performance Security must cover the warranty period plus two months.

15. Abnormally quoted low bid will be liable for rejection as per the OM No.F.12/17/2019-PPD of Department of Expenditure, Ministry of Finance dated 6th February 2020.

*****Disclaimer***** Bidders are advised to exercise caution and not respond to any unknown calls, emails, or embedded links requesting payment for participating in the tender or for any other purpose. Please note that NITK Surathkal never asks for any tender fee for participation in tenders or bids.

SECTION-2
SCHEDULE OF REQUIREMENTS, SPECIFICATIONS AND ALLIED DETAILS
[To be filled up by the Department / Centre of NITK, Surathkal]

Item(s) Name to be Procured : Lab Table Modification

Brief Specifications of the Item(s)
(Annexure-F) : Annexure attached

Quantity : 12 Nos.

Any other details / requirement : --

Warranty Period required : 5 Years

Delivery Schedule expected
after placement of Purchase order
(in Weeks) : 4 Weeks

Performance Security to be given
by Successful Bidder after release of
Purchase Order (in Rupees) : 3% of Purchase Order
(applicable for estimate Above 2.5 lakhs)

**SECTION 3
PRICE SCHEDULE**

[To be used by the bidder for submission of the quotation]

-
1. Item Name :
 2. Specifications
(Conforming to Schedule of requirements
Enclose additional sheets if necessary) :
 3. Currency and Unit Price :
 4. Quantity :
 5. Item Cost (Sl No. 3 * Sl. No. 4) :
 6. Taxes and Other Charges :
(i) Specify the type of taxes and duties
in percentages and also in figures.
(ii) Specify Other Charges in figures.
 7. **Warranty Period** :
**(Conforming to the Schedule of
requirements)**
 8. Delivery Schedule :
(Conforming to the Schedule of requirements)
 9. Name and address of the Firm for
placing purchase order :
 10. Name and address of Indian authorized
agent (in case of imports only) :

Signature of the Bidder: _____

Name and Designation: _____

Business Address : _____

Place:

Date:

Seal of the Bidder's Firm

SECTION 4
CONTRACT FORM

[To be provided by the bidder in the business letter head]

1. (Name of the Supplier's Firm) hereby abide by the delivery schedule mentioned in this document for supply of the items if the purchase order is awarded.
2. The item will be supplied conforming to the specifications stated in this document without any defect and deviations.
3. Warranty will be given for the period mentioned in this document and service will be rendered to the satisfaction of NITK, Surathkal during this period.

Signature of the Bidder: _____

Name : _____

Business Address : _____

Place :

Seal of the Bidder's Firm

Date :

Annexure-A

**(Compliance to be submitted in the bidder's letterhead)
(Applicable for estimate above 2.5 lakhs)**

Sub: Compliance to Government of India order OM No.6/18/2019-PPD dated 23.07.2020 & 24.7.2020 regarding restrictions under Rule 144 (XI) of the General Financial Rules (GFRs), 2017

Item Name:	
Enquiry No.:	

We M/s. _____ (name of the bidder company) have read the clauses pertaining to the Department of Expenditure's (DoE) Public Procurement Division Order (Public procurement no 1,2 & 3 vide ref. F.No.6/18/2019-PPD dated 23.07.2020 & 24.7.2020) regarding restrictions on procurement from a bidder of a country that shares a land border with India.

We hereby certify that **we are not from such a country** and eligible to be considered for this tender.

(Note: Non-compliance of above said Gol Order and its subsequent amendment, (if any), by any bidder(s) shall lead to commercial rejection of their bids by NITK)

For and behalf of _____ (Name of the bidder)

(Signature, date & seal of an authorized representative of the bidder)

Annexure-B

**(Compliance to be submitted in the bidder's letterhead)
(Applicable for estimate above 2.5 lakhs)**

Sub: Compliance to Government of India order OM No.6/18/2019-PPD dated 23.07.2020 & 24.7.2020 regarding restrictions under Rule 144 (XI) of the General Financial Rules (GFRs), 2017

Item Name:	
Enquiry No.:	

We M/s. _____ (name of the bidder company) have read the clauses pertaining to the Department of Expenditure's (DoE) Public Procurement Division Order (Public procurement no 1,2 & 3 vide ref. F.No.6/18/2019-PPD dated 23.07.2020 & 24.7.2020) regarding restrictions on procurement from a bidder of a country which shares a land border with India.

We are from such a country which shares a land border with India & have been registered with the Competent Authority as specified in the above-said order. We hereby certify that we fulfill all requirements in this regard and are eligible to be considered.

Evidence of valid registration by the Competent Authority is attached.

(Note: Non-compliance of above said Gol Order and its subsequent amendment, (if any), by any bidder(s) shall lead to commercial rejection of their bids by NITK)

For and behalf of _____ (Name of the bidder)

(Signature, date & seal of an authorized representative of the bidder)

**Self-Certification on the letterhead of the company
(Applicable for estimate above 5 lakhs)**

In line with Government Public Procurement Order No. P-45021/2/2017-BE-II dt. 15.06.2017, P-45021/2/2017-PP (BE-II) dated 28.05.2018, P-45021/2/2017-PP (BE-II) dated 29.05.2019 and

P-45021/2/2017-PP (BE-II) dated 16.09.2020, we hereby certify that

.....
(Supplier name) are local supplier meeting requirement of minimum local content % defined in as above orders for the material against Enquiry / Tender No
.....
.....
.....

Details of the location at which local value addition will be made are as follows:

.....
.....
.....

We also understand false declarations will be in breach of the Code of Integrity under Rule 175(1)(i)(h) of the General Financial Rules for which a bidder or its successors can be debarred for up to two years as per Rule 151 (iii) of the General Financial Rules along with such other actions as may be permitted under law.

Date:
Place:

Signature:
Name and Designation:
Mobile no:
Office
Telephone No:
Email ID:
Office Seal:

FORMAT FOR EARNEST MONEY DEPOSIT / BID BOND

(Applicable for estimate above 2.5 lakhs)

(To be typed on Non-judicial stamp paper of value Indian Rupees Five Hundred)

(TO BE ESTABLISHED THROUGH ANY OF THE NATIONAL BANKS (WHETHER SITUATED AT MANGALURU OR OUTSTATION) WITH A CLAUSE TO ENFORCE THE SAME ON THEIR LOCAL BRANCH AT MANGALURU OR ANY SCHEDULED BANK (OTHER THAN NATIONALISED BANK) SITUATED AT MANGALURU. BONDS ISSUED BY COOPERATIVE BANKS ARE NOT ACCEPTED)

LETTER OF GUARANTEE

To
Director,
National Institute of Technology Karnataka,
Srinivasnagar P.O., Surathkal
Mangaluru – 575025

IN ACCORDANCE WITH YOUR TENDER for the supply of,
M/s..... (hereinafter called the "Bidder") having its Registered Office at
....., wish to participate in the said bid for the
supply.....as an irrevocable
Bank Guarantee against Earnest Money Deposit for an amount of Rs.
(Rupees.....) valid up to **(180 days from the date of issue of Bank Guarantee)**, is
required to be submitted by the bidder as a condition precedent for participating in the said bid,
which amount is liable to be forfeited by the Purchaser on (1) the withdrawal or revision of the offer
by the bidder within the validity period, (2) Non acceptance of the Letter of Intent/Purchase order
by the Bidder when issued within the validity period, (3) failure to execute the contract as per
contractual terms and condition within the contractual delivery period and (4) on the happening of
any contingencies mentioned in the bid documents.

During the validity of this Bank Guarantee:

We,(Bank name) having the registered office at.....guarantee
and undertake to pay immediately on first demand by NITK Surathkal, an amount of
Rs..... (Rupees.
.....) without any
reservation, protest, demur and recourse. Any such demand made by theNITK Surathkal shall be
conclusive and recourse. Any such demand made by the purchaser shall be binding on the Bank
irrespective of any dispute or difference raised by the Bidder.

The Guarantee shall be irrevocable and shall remain valid up to.....(180 days from the
date of issue of Bank Guarantee) If any further extension is required, the same shall be extended
to such required period on receiving instruction from the Bidder, on whose behalf the is Guarantee
is issued.

Notwithstanding anything contained herein:

* Our liability under this Bank Guarantee shall not exceed Rs..... (Rupees.....).

- * This Bank Guarantee shall be valid up to.....(date).
- * We are liable to pay the guaranteed amount or any part thereof under this Bank Guarantee Only and only if you serve upon us a written claim on or before(date).

This Bank further agrees that the claims if any, against this Bank Guarantee shall be enforceable at our branch office atsituated at(Address of local branch).

Yours truly,

Signature and seal of the guarantor: Name of Bank:

Address:

Date:

Instruction to Bank: Bank should note that on expiry of Bond Period, the Original Bond will not be returned to the Bank. The bank is requested to take appropriate necessary action on or after the expiry of the bond period

FORMAT FOR PERFORMANCE GUARANTEE BOND
(To be typed on Non-judicial stamp paper of the value of Indian Rupees of Five Hundred)
(Applicable for estimate above 2.5 lakhs)

To,
Director,
National Institute of Technology Karnataka,
Srinivasnagar P.O., Surathkal
Mangaluru – 575025

Whereas..... (name and address of the contractor)
(hereinafter called “the contractor”) has undertaken, in pursuance of contract no
date..... to supply (description of goods and Works/ Services) (hereinafter
called “the contract”).

And Whereas you have stipulated it in the said contract that the contractor shall furnish you with a
bank guarantee by a Commercial bank for the sum specified therein as security for compliance
with its obligations as per the contract;

And Whereas we have agreed to give the contractor such a bank guarantee.

Now Therefore we hereby affirm that we are guarantors and responsible to you, on behalf of the
contractor, up to a total of(amount of the guarantee
in words and figures), and we undertake to pay you, upon your first written demand declaring the
contractor to be in default under the contract and without cavil or argument, any sum or sums
within the limits of (amount of guarantee) as aforesaid, without your needing to prove or to show
grounds or reasons for your demand or the sum specified therein.

We hereby waive the necessity of your demanding the said debt from the contractor before
presenting us with demand.

We further agree that no change or addition to or other modification of the terms of the contract to
be performed thereunder or of any of the contract documents which may be made between you
and the contractor shall in any way release us from any liability under this guarantee, and we
hereby waive notice of any such change, addition, or modification.

This guarantee shall be valid until theday of20.....

Our.....branch at.....*(Name & Address of the
.....*(branch) is liable to pay the guaranteed amount depending on the filing of a
claim and any part thereof under this Bank Guarantee only and only if you serve upon us at our
.....* branch a written claim or demand and received by us at our*
branch on or before Dt..... otherwise, the bank shall be discharged of all liabilities under this
guarantee after that.

(Signature of the authorized officer of the Bank)

.....

.....

Name and designation of the officer

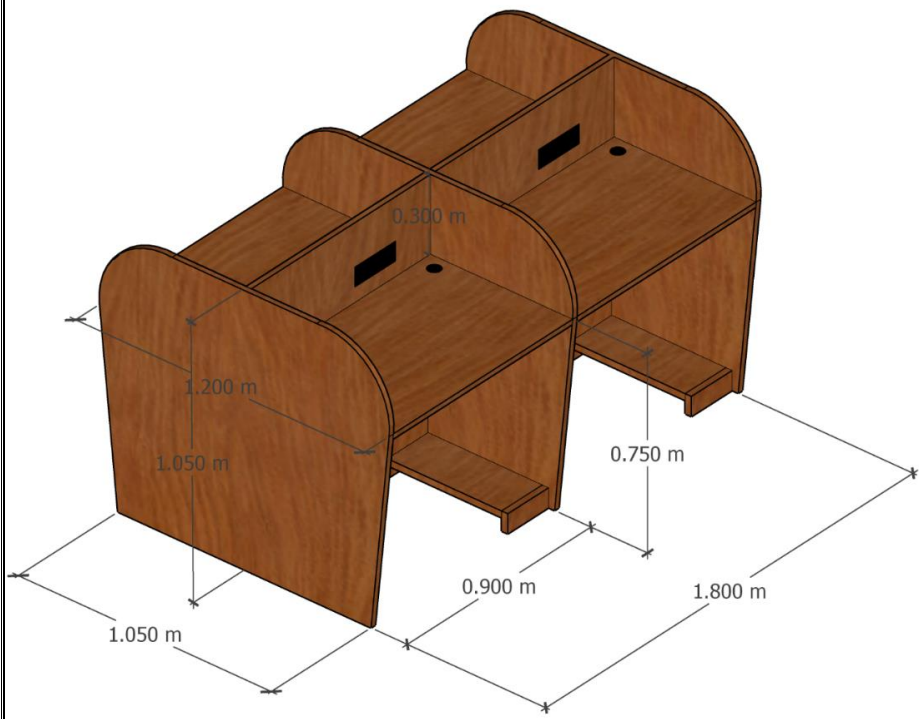
.....

Seal, name & address of the Bank and address of Branch

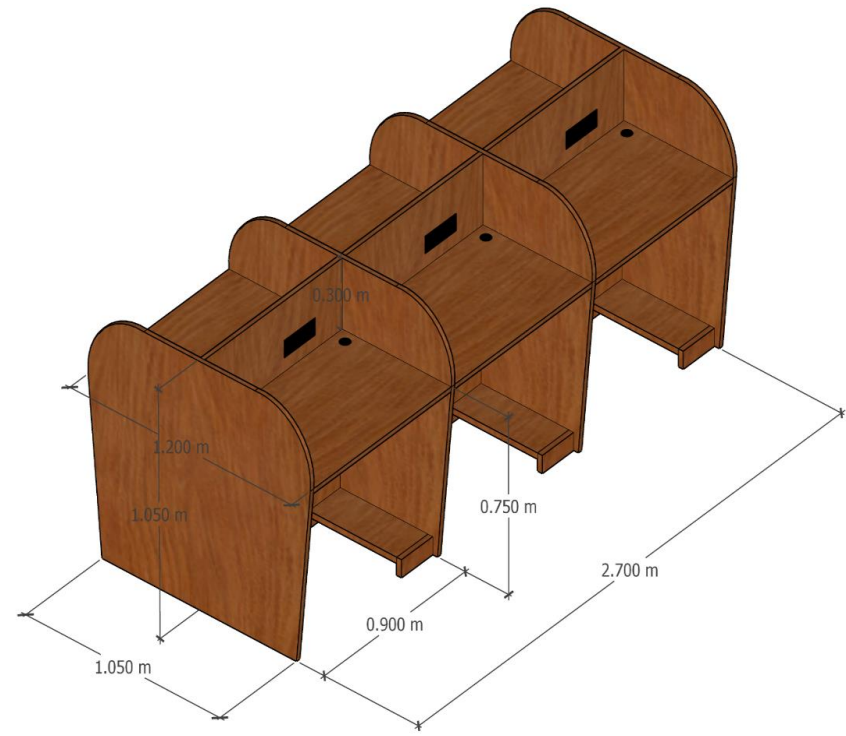
*Preferably at the headquarters of the authority competent to sanction the expenditure for the procurement of goods or at the concerned district headquarters or the state headquarters.

Annexure F

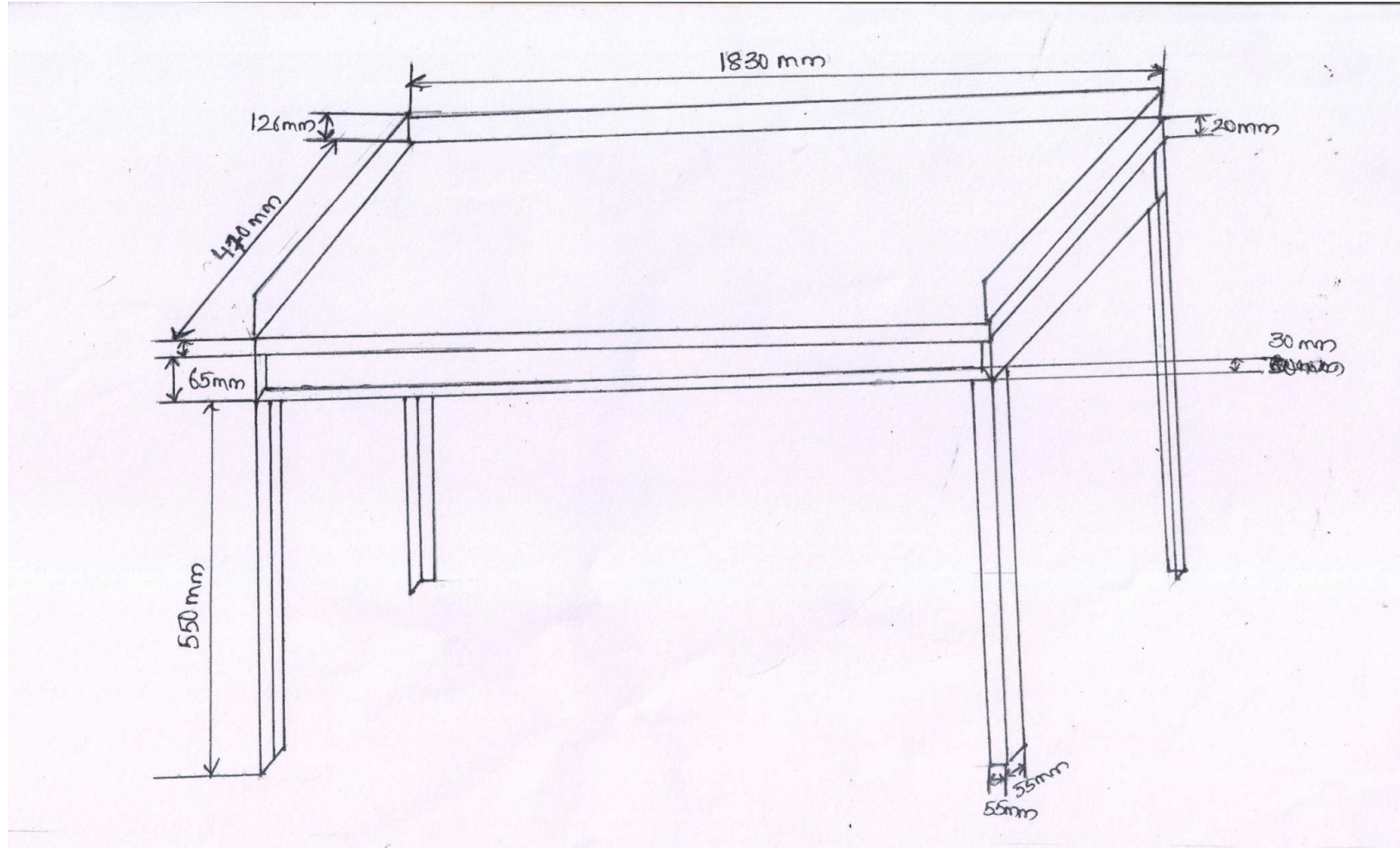
Sl.No.	Particulars	Qty
1.	<p><u>Modified 4-Seater Lab Table (5 Nos.) + Lab Table Top (5 Nos.):</u> Size: 1.800 M (L) x 1.200 M (W) x 1.050 M (H), Qty: 5 Nos., Warranty: 5 Years Supplying of Computer table with Compartment made by using Boiling Waterproof, Marine Quality, confirming to IS:710, 25mm thick for all the external sides, 16mm thick for table top, inside partitions, middle partitions, sliding Keyboard and Platform for keeping CPU. The table top should be 0.75m high with compartment. All external sides should be laminated with 1mm thick lamination and the internal sides should be laminated with 0.8mm thick lamination and of approved make and quality. All the cut edges should be covered and sealed with PVC/wooden edge banding of approved quality and make. All journey fabrication work should be done with mini-fix fitting, wooden dowels, modular clips, screws, etc. Necessary provisions should be made to run the electrical and internet cables.</p> <p><u>Size: 1.83 M (L) x 0.47 M (W) x 0.55 M (H), Qty: 5 Nos., Warranty: 5 Years</u> Supplying of Lab Table Extension made by using Jack wood frame with Boiling Waterproof marine quality conforming to IS 710 Plywood Sheets of Phenol bond as shown in the drawing attached. All the external surfaces of the table should be laminated with sun mica of 1 mm thick and 0.8 mm thick for all internal sides. The exposed edges of the table should be finished with 2 mm thick PVC edge banding of approved make, quality & colour. The lamination & edges banding work should be done in mechanical means with automatic roll, pneumatic press, heat & fix with approved adhesive for lamination & Automatic Gluing Pneumatic pressure press, fine milling the edges, corner rounding (if any) scrapping & buffing for finishing the exposed edges of PVC edge banding. All the fixtures and fittings, fiber bush etc. used should be of approved quality & make.</p>	10 Nos.
2.	<p><u>Modified 6-Seater Lab Table (1 Nos.) + Lab Table Top (1 Nos.):</u> Size: 2.4 M (L) x 1.200 M (W) x 1.050 M (H), Qty: 1 Nos., Warranty: 5 Years Supplying of Computer table with Compartment made by using Boiling Waterproof, Marine Quality, confirming to IS:710, 25mm thick for all the external sides, 16mm thick for table top, inside partitions, middle partitions, sliding Keyboard and Platform for keeping CPU. The table top should be 0.75m high with compartment. All external sides should be laminated with 1mm thick lamination and the internal sides should be laminated with 0.8mm thick lamination and of approved make and quality. All the cut edges should be covered and sealed with PVC/wooden edge banding of approved quality and make. All journey fabrication work should be done with mini-fix fitting, wooden dowels, modular clips, screws, etc. Necessary provisions should be made to run the electrical and internet cables.</p> <p><u>Size: 1.83 M (L) x 0.47 M (W) x 0.55 M (H), Qty: 1 Nos., Warranty: 5 Years</u> Supplying of Lab Table Extension made by using Jack wood frame with Boiling Waterproof marine quality conforming to IS 710 Plywood Sheets of Phenol bond as shown in the drawing attached. All the external surfaces of the table should be laminated with sun mica of 1 mm thick and 0.8 mm thick for all internal sides. The exposed edges of the table should be finished with 2 mm thick PVC edge banding of approved make, quality & colour. The lamination & edges banding work should be done in mechanical means with automatic roll, pneumatic press, heat & fix with approved adhesive for lamination & Automatic Gluing Pneumatic pressure press, fine milling the edges, corner rounding (if any) scrapping & buffing for finishing the exposed edges of PVC edge banding. All the fixtures and fittings, fiber bush etc. used should be of approved quality & make.</p>	2 Nos.



Drawing No.1: Modified 4-Seater Lab table
Size: 1.800 M (L) x 1.200 M (W) x 1.050 M (H)



Drawing No.2: Modified 6-Seater Lab table
Size: 2.4 M (L) x 1.200 M (W) x 1.050 M (H)



Drawing No.3: Lab Table Top
Size: 1.83 M (L) x 0.47 M (W) x 0.55 M (H)

*****Disclaimer***** Bidders are advised to exercise caution and not respond to any unknown calls, emails, or embedded links requesting payment for participating in the tender or for any other purpose. Please note that NITK Surathkal never asks for any tender fee for participation in tenders or bids.