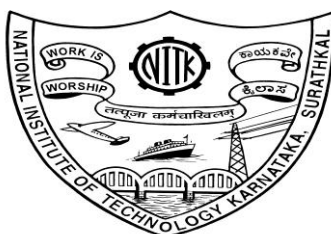


# NATIONAL INSTITUTE OF TECHNOLOGY KARNATAKA, SURATHKAL

DEPARTMENT OF METALLURGICAL AND MATERIALS ENGINEERING  
POST SRINIVASNAGAR, MANGALORE – 575 025 (D K)

Phone: (0824) 2474000.  
E- mail: [info@nitk.ac.in](mailto:info@nitk.ac.in)

Fax: (0824) 2474033  
Website: <http://www.nitk.ac.in>

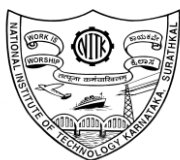


## NOTICE INVITING QUOTATION

Notification. No: NITK/MET&MAT/DPD/OH35/IRG/2024-25/A8

Dated: 19/06/2024

Name of Goods	Furniture [Computer Table (size: 1500mm x 600mm x 750mm), Steel Almira, Bookshelves (Steel Bookshelf with Glass door), Ergonomic/Executive Chair, Visitors chair with cushion]
Estimated Amount	₹ 2,00,000/- (inclusive of GST)
EMD Amount (2% of estimated amount) (Applicable for estimate above 2.5 lakhs)	Not applicable
Time for Supply of item after release of Purchase order	05 Days
Document Download / Sale Start Date	03/03/2025, 11:00 AM
Clarification Start Date	03/03/2025, 11:00 AM
Clarification End Date	05/03/2025, 03:00 PM
Bid Submission Start Date	03/03/2025, 11:00 AM
Last Date for submission of bids	10/03/2025 before 03:00 PM
Bid Opening Date	10/03/2025, 04:00 PM
Address for Submission of bids	Dr. Lipak Kumar Sahoo Department of Metallurgical and Materials Engineering, NITK Surathkal, Mangalore-575025 Phone No.: 8610886801



**NATIONAL INSTITUTE OF TECHNOLOGY KARNATAKA, SURATHKAL**  
**DEPARTMENT OF METALLURGICAL AND MATERIALS ENGINEERING**

POST SRINIVASNAGAR, MANGALORE – 575 025

Phone: (0824) 2474000

Fax: (0824) 2474033

E- mail: info@nitk.ac.in

Website: http://www.nitk.ac.in

Notification No: NITK/MET & MAT/DPD/OH35/IRG/2024-25/A8

Date: 19/06/2024

**NOTICE INVITING QUOTATION (NIQ)**

The National Institute of Technology Karnataka, Surathkal (in short – NITK, Surathkal) is an Institute Of National Importance Under Ministry of Education Govt of India, imparting Technical Education and engaged in Research Activities. It is proposed to procure the items for the departmental academic/research activities.

Sealed Quotations as per the Price Schedule given in this NIQ are invited for the following items subject to the terms and conditions, from the reputed manufacturers or its authorised dealers so as to reach on or before scheduled date and time. The quotations in the firm's Business letter head should be address to the "Director, NITK, Surathkal". The envelope shall be superscribed with the Quotation Notification Number and the Name of the Goods for which quotation is submitted.

<b>Name of Goods</b>	<b>Furniture [Computer Table (size: 1500mm x 600mm x 750mm), Steel Almirah, Bookshelves (Steel Bookshelf with Glass door), Ergonomic/Executive Chair, Visitors chair with cushion]</b>
<b>Estimated Amount</b>	<b>₹ 2,00,000/- (inclusive of GST)</b>
<b>EMD Amount (2% of estimated amount) (Applicable for estimate above 2.5 lakhs)</b>	<b>Not applicable</b>
<b>Time for Supply of item after release of Purchase order</b>	<b>05 Days</b>
<b>Document Download / Sale Start Date</b>	<b>03/03/2025, 11:00 AM</b>
<b>Clarification Start Date</b>	<b>03/03/2025, 11:00 AM</b>
<b>Clarification End Date</b>	<b>05/03/2025, 03:00 PM</b>
<b>Bid Submission Start Date</b>	<b>03/03/2025, 11:00 AM</b>
<b>Last Date for submission of bids</b>	<b>10/03/2025 before 03:00 PM</b>
<b>Bid Opening Date</b>	<b>10/03/2025, 04:00 PM</b>

**Sd/-  
HOD**

Note: Institute shall not be responsible for any postal delay about non-receipt /non-delivery of the bids or due to wrong addressee.

**SECTION-1**  
**Terms and Conditions**

1. The rates should be quoted for preferably FOR destination from supply within India.
2. The bidder shall indicate the excise duty exemption for the goods if applicable.
3. The rate quoted should be on unit basis. Taxes and other charges should be quoted separately, considering exemptions if any. The rate should be quoted in INR only
4. Rate quoted should be inclusive of Testing, commissioning and Installation of equipment and Training.
5. Payment: No advance payment will be made. Payment will be made only after the supply of the item in good and satisfactory condition and receipt of performance security by supplier.
6. Guarantee/Warranty period should be specified for the complete period should be specified in section 3 of this tender document.
7. Period requirement for the supply and installation of item should be specified in section 3 of this tender document.
8. In case of dispute, the matter will be subject to Mangalore Jurisdiction only.
9. **Delivery Period:** The Delivery Period/Time shall be deemed to be the essence of the Contract and delivery must be completed not later than such date(s). If the Supplier does not perform its obligations within the Delivery Period/Date mentioned in the Contract, the same would constitute the breach of the Contract and the Institute shall have the right to cancel or withdraw the Contract for the unsupplied portion after the expiry of the original or extended delivery date or period stipulated in the Contract. Such cancellation of the contract on account of non - performance by the Supplier would entitle the Buyer to forfeit the EMD/Performance Security besides other actions such as debarment from the Institute as per GFR 2017.
10. **Liquidated Damages:** Timely delivery is the essence of the contract and hence if the Supplier fails to deliver Goods within the original/extended delivery period(s) specified in the contract, the Institute will be entitled to deduct/recover the Liquidated Damages for the delay, unless covered under Force Majeure conditions aforesaid, @ **1% per week or part of the week of the delayed period** as pre-estimated damages not exceeding 5% of the contract value without any controversy/dispute of any sort whatsoever.
11. The bidder needs to comply with restrictions under rule No 144 (xi) of GFR (General Financial Rules) 2017 and the clause pertaining to Public Procurement Division Order (Public Procurement no 1,2 & 3 vide ref. F.No.6/18/2019-PPD dated 23.07.2020 and 24.07.2020 of Dept of Expenditure (DOE), Ministry of Finance). In this Connection Bidder has to submit Self Certification (as per Annexure A or B), depending on the status of the bidder.
12. The bidder needs to submit a Self-certification in line with Make in India, Public Procurement Order No. P-45021/2/2017-BE-II dt. 15.06.2017, P 45021/2/2017-PP (BE-II) dated 28.05.2018, P-45021/2/2017-PP (BE-II)

dated 29.05.2019 and P45021/2/2017- PP (BE – II) dated 16.09.2020 of DPIIT, Ministry of Commerce & Industry. The Bidder who will not meet this criterion will be rejected in the technical bid. The Self-certification should be provided as per Annexure C.

13. EMD must be in the form of Bank Guarantee **Annexure-D** (Fixed Deposit Receipt/Insurance surety bonds/DD/e-Payment mode (through Credit/Debit cards / Net Banking). It will be valid for 180 days from the date of opening of the tender. In case of EMD payment made through E-Payment, UTR Number with details should be uploaded. The firm registered with MSME/NSIC as per MSME procurement policy order 2012 will be exempted from submission of EMD. Intended parties will have to give proof of registration along with their tender. EMD of the unsuccessful bidders shall be refunded without any interest at the earliest after finalization of the purchase of the concerned item.
  - a. The EMD will be returned to the BIDDERS(s) whose offer is not accepted by NITK within one month from the date of the placing of the purchase order(s) on the selected BIDDER(s). In the case of the BIDDER(s) whose offer is accepted the EMD will be returned on submission of Performance Security in the form of Bank Guarantee (BG). However, if the return of EMD is delayed for any reason, no interest/penalty shall be payable to the Bidders.
  - b. The successful BIDDER, on the award of contract/order, must send the contract/order acceptance in writing, within 15 days of award of contract/order failing which the EMD will be forfeited.
  - c. The EMD shall be forfeited in case a successful BIDDER fails to furnish the Performance Security.
  - d. Bidder should prepare the EMD as per the instructions specified in the tender document. The original EMD should be posted/couriered/given in person to the concerned official, latest by the last date of bid submission as specified in the tender documents. The details of the BG/DD/FD/any other accepted instrument, physically sent, should tally with the details available in the scanned copy and the data entered during bid submission time. Otherwise, the uploaded bid will be rejected.
14. **Performance Security:** The successful bidder shall deposit performance security of 3% of the quoted price in the form of Bank Guarantee (**ANNEXURE-E**) / Fixed Deposit Receipt of any scheduled bank drawn in favour of **The Director, NITK Surathkal, Mangaluru** payable at Mangaluru. In case the bidder fails to deposit the said Performance Security within the stipulated period, including the extended period if any, the Earnest Money Deposited by the bidder shall be forfeited automatically without any notice. Please note the following points:
  - a. **Successful bidder should submit performance Security as prescribed above to the purchase Section, NITK Surathkal, on or before 30 days from the date of issue of order acknowledgment.**
  - b. Performance Security shall be for the due and faithful performance of the contract and shall remain binding, notwithstanding such variations, alterations for extensions of time as may be made, given, conceded, or agreed to between the successful bidder and the purchaser under the terms and conditions of acceptance to tender.
  - c. The successful bidder is entirely responsible for the due performance of the contract in all respects according to the terms and conditions of the tender.
  - d. The validity of the Performance Security must cover the warranty period plus two months.
15. Abnormally quoted low bid will be liable for rejection as per the OM No.F.12/17/2019-PPD of Department of Expenditure, Ministry of Finance dated 6<sup>th</sup> February 2020.

16. The buyer reserves the right to increase or decrease the quantity to be ordered up to 25 percent of bid quantity at the time of placement of contract. The purchaser also reserves the right to increase the ordered quantity by up to 25% of the contracted quantity during the currency of the contract at the contracted rates. Bidders are bound to accept the orders accordingly.
17. **\*\*Disclaimer:\*\*** Bidders are advised to exercise caution and not respond to any unknown calls, emails, or embedded links requesting payment for participating in the tender or for any other purpose. Please note that NITK Surathkal never asks for any tender fee for participation in tenders or bids.

**SECTION-2**  
**SCHEDULE OF REQUIREMENTS, SPECIFICATIONS AND ALLIED DETAILS**  
[ To be filled up by the Department / Centre of NITK, Surathkal ]

---

Item(s) Name to be Procured	: Furniture [Computer Table (size: 1500mm x 600mm x 750mm), Steel Almirah, Bookshelves (Steel Bookshelf with Glass door), Ergonomic/Executive Chair, Visitors chair with cushion]
Brief Specifications of the Item(s) (Annexure-F)	: Given in Annexure-F
Quantity	: Computer Table (size: 1500mm x 600mm x 750mm) – 1 No., Steel Almirah – 1 No., Bookshelves (Steel Bookshelf with Glass door) – 1 No., Ergonomic/Executive Chair – 1 No., Visitors chair with cushion – 3 Nos.
Any other details / requirement	: --
Warranty Period required	: 05 years
Delivery Schedule expected after placement of Purchase order (in Days)	: 05 days
Performance Security to be given by Successful Bidder after release of Purchase Order (in Rupees) <b>(applicable for estimate Above 2.5 lakhs)</b>	: 3% of Purchase Order (Not Applicable)

**SECTION 3  
PRICE SCHEDULE**

[ To be used by the bidder for submission of the quotation]

- 
1. Item Name :
  2. Specifications  
(Conforming to Schedule of requirements  
Enclose additional sheets if necessary) :
  3. Currency and Unit Price :
  4. Quantity :
  5. Item Cost (Sl No. 3 \* Sl. No. 4 ) :
  6. Taxes and Other Charges :  
(i) Specify the type of taxes and duties  
in percentages and also in figures.  
(ii) Specify Other Charges in figures.
  7. **Warranty Period** :  
**(Conforming to the Schedule of  
requirements)**
  8. Delivery Schedule :  
(Conforming to the Schedule of requirements)
  9. Name and address of the Firm for  
placing purchase order :
  10. Name and address of Indian authorized  
agent ( in case of imports only) :

**Signature of the Bidder:** \_\_\_\_\_

**Name and Designation:** \_\_\_\_\_

**Business Address** : \_\_\_\_\_

\_\_\_\_\_

**Place:**

**Date:**

**Seal of the Bidder's Firm**

**SECTION 4**  
**CONTRACT FORM**

[ To be provided by the bidder in the business letter head]

---

1. (Name of the Supplier's Firm) hereby abide by the delivery schedule mentioned in this document for supply of the items if the purchase order is awarded.
2. The item will be supplied conforming to the specifications stated in this document without any defect and deviations.
3. Warranty will be given for the period mentioned in this document and service will be rendered to the satisfaction of NITK, Surathkal during this period.

**Signature of the Bidder:** \_\_\_\_\_

**Name** : \_\_\_\_\_

**Business Address** : \_\_\_\_\_

\_\_\_\_\_

**Place :**  
**Date :**

**Seal of the Bidder's Firm**



**Annexure-A**

**(Compliance to be submitted in the bidder's letterhead)  
(Applicable for estimate above 2.5 lakhs)**

**Sub: Compliance to Government of India order OM No.6/18/2019-PPD dated 23.07.2020 & 24.7.2020 regarding restrictions under Rule 144 (XI) of the General Financial Rules (GFRs), 2017**

<b>Item Name:</b>	
<b>Enquiry No.:</b>	

We M/s. \_\_\_\_\_ (name of the bidder company) have read the clauses pertaining to the Department of Expenditure's (DoE) Public Procurement Division Order (Public procurement no 1,2 & 3 vide ref. F.No.6/18/2019-PPD dated 23.07.2020 & 24.7.2020) regarding restrictions on procurement from a bidder of a country that shares a land border with India.

We hereby certify that **we are not from such a country** and eligible to be considered for this tender.

(Note: Non-compliance of above said Gol Order and its subsequent amendment, (if any), by any bidder(s) shall lead to commercial rejection of their bids by NITK)

For and behalf of \_\_\_\_\_ (Name of the bidder)

(Signature, date & seal of an authorized representative of the bidder)

**Annexure-B**

**(Compliance to be submitted in the bidder's letterhead)  
(Applicable for estimate above 2.5 lakhs)**

**Sub: Compliance to Government of India order OM No.6/18/2019-PPD dated 23.07.2020 & 24.7.2020 regarding restrictions under Rule 144 (XI) of the General Financial Rules (GFRs), 2017**

<b>Item Name:</b>	
<b>Enquiry No.:</b>	

We M/s. \_\_\_\_\_ (name of the bidder company) have read the clauses pertaining to the Department of Expenditure's (DoE) Public Procurement Division Order (Public procurement no 1,2 & 3 vide ref. F.No.6/18/2019-PPD dated 23.07.2020 & 24.7.2020) regarding restrictions on procurement from a bidder of a country which shares a land border with India.

**We are from such a country** which shares a land border with India & have been registered with the Competent Authority as specified in the above-said order. We hereby certify that we fulfill all requirements in this regard and are eligible to be considered.

**Evidence of valid registration by the Competent Authority is attached.**

(Note: Non-compliance of above said Gol Order and its subsequent amendment, (if any), by any bidder(s) shall lead to commercial rejection of their bids by NITK)

For and behalf of \_\_\_\_\_ (Name of the bidder)

(Signature, date & seal of an authorized representative of the bidder)

**Self-Certification on the letterhead of the company**  
**(Applicable in cases where the estimated/offered amount is ₹ 5 lakhs and above)**

In line with Government Public Procurement Order No. P-45021/2/2017-BE-II dt. 15.06.2017, P-45021/2/2017-PP (BE-II) dated 28.05.2018, P-45021/2/2017-PP (BE-II) dated 29.05.2019 and

P-45021/2/2017-PP (BE-II) dated 16.09.2020, we hereby certify that

.....  
(Supplier name) are local supplier meeting requirement of minimum local content ..... % defined in as above orders for the material against Enquiry / Tender No  
.....  
.....  
.....

Details of the location at which local value addition will be made are as follows:

.....  
.....  
.....

We also understand false declarations will be in breach of the Code of Integrity under Rule 175(1)(i)(h) of the General Financial Rules for which a bidder or its successors can be debarred for up to two years as per Rule 151 (iii) of the General Financial Rules along with such other actions as may be permitted under law.

Date:  
Place:

Signature:  
Name and Designation:  
Mobile no:  
Office  
Telephone No:  
Email ID:  
Office Seal:

**FORMAT FOR EARNEST MONEY DEPOSIT / BID BOND**

**(Applicable for estimate above 2.5 lakhs)**

**(To be typed on Non-judicial stamp paper of value Indian Rupees Five Hundred)**

(TO BE ESTABLISHED THROUGH ANY OF THE NATIONAL BANKS (WHETHER SITUATED AT MANGALURU OR OUTSTATION) WITH A CLAUSE TO ENFORCE THE SAME ON THEIR LOCAL BRANCH AT MANGALURU OR ANY SCHEDULED BANK (OTHER THAN NATIONALISED BANK) SITUATED AT MANGALURU. BONDS ISSUED BY COOPERATIVE BANKS ARE NOT ACCEPTED)

**LETTER OF GUARANTEE**

To  
Director,  
National Institute of Technology Karnataka,  
Srinivasnagar P.O., Surathkal  
Mangaluru – 575025

IN ACCORDANCE WITH YOUR TENDER for the supply of .....,  
M/s..... (hereinafter called the "Bidder") having its Registered Office at  
....., wish to participate in the said bid for the  
supply.....as an irrevocable  
Bank Guarantee against Earnest Money Deposit for an amount of Rs. ....  
(Rupees.....) valid up to **(180 days from the date of issue of Bank Guarantee)**, is  
required to be submitted by the bidder as a condition precedent for participating in the said bid,  
which amount is liable to be forfeited by the Purchaser on (1) the withdrawal or revision of the offer  
by the bidder within the validity period, (2) Non acceptance of the Letter of Intent/Purchase order  
by the Bidder when issued within the validity period, (3) failure to execute the contract as per  
contractual terms and condition within the contractual delivery period and (4) on the happening of  
any contingencies mentioned in the bid documents.

**During the validity of this Bank Guarantee:**

We, .....(Bank name) having the registered office at.....guarantee  
and undertake to pay immediately on first demand by NITK Surathkal, an amount of  
Rs..... (Rupees.  
.....)without any  
reservation, protest, demur and recourse. Any such demand made by theNITK Surathkal shall be  
conclusive and recourse. Any such demand made by the purchaser shall be binding on the Bank  
irrespective of any dispute or difference raised by the Bidder.

The Guarantee shall be irrevocable and shall remain valid up to.....(180 days from the  
date of issue of Bank Guarantee) If any further extension is required, the same shall be extended  
to such required period on receiving instruction from the Bidder, on whose behalf the is Guarantee  
is issued.

**Notwithstanding anything contained herein:**

\* Our liability under this Bank Guarantee shall not exceed Rs..... (Rupees.....).

- \* This Bank Guarantee shall be valid up to.....(date).
- \* We are liable to pay the guaranteed amount or any part thereof under this Bank Guarantee Only and only if you serve upon us a written claim on or before .....(date).

This Bank further agrees that the claims if any, against this Bank Guarantee shall be enforceable at our branch office at .....situated at .....(Address of local branch).

**Yours truly,**

Signature and seal of the guarantor: Name of Bank:

Address:

Date:

Instruction to Bank: Bank should note that on expiry of Bond Period, the Original Bond will not be returned to the Bank. The bank is requested to take appropriate necessary action on or after the expiry of the bond period

**FORMAT FOR PERFORMANCE GUARANTEE BOND**  
**(To be typed on Non-judicial stamp paper of the value of Indian Rupees of Five Hundred)**  
**(Applicable for estimate above 2.5 lakhs)**

To,  
Director,  
National Institute of Technology Karnataka,  
Srinivasnagar P.O., Surathkal  
Mangaluru – 575025

Whereas..... (name and address of the contractor)  
(hereinafter called “the contractor”) has undertaken, in pursuance of contract no .....  
date..... to supply ..... (description of goods and Works/ Services) (hereinafter  
called “the contract”).

And Whereas you have stipulated it in the said contract that the contractor shall furnish you with a  
bank guarantee by a Commercial bank for the sum specified therein as security for compliance  
with its obligations as per the contract;

And Whereas we have agreed to give the contractor such a bank guarantee.

Now Therefore we hereby affirm that we are guarantors and responsible to you, on behalf of the  
contractor, up to a total of .....(amount of the guarantee  
in words and figures), and we undertake to pay you, upon your first written demand declaring the  
contractor to be in default under the contract and without cavil or argument, any sum or sums  
within the limits of (amount of guarantee) as aforesaid, without your needing to prove or to show  
grounds or reasons for your demand or the sum specified therein.

We hereby waive the necessity of your demanding the said debt from the contractor before  
presenting us with demand.

We further agree that no change or addition to or other modification of the terms of the contract to  
be performed thereunder or of any of the contract documents which may be made between you  
and the contractor shall in any way release us from any liability under this guarantee, and we  
hereby waive notice of any such change, addition, or modification.

This guarantee shall be valid until the .....day of .....20.....

Our.....branch at.....\*(Name & Address of the  
.....\*(branch) is liable to pay the guaranteed amount depending on the filing of a  
claim and any part thereof under this Bank Guarantee only and only if you serve upon us at our  
.....\* branch a written claim or demand and received by us at our .....\*  
branch on or before Dt..... otherwise, the bank shall be discharged of all liabilities under this  
guarantee after that.

(Signature of the authorized officer of the Bank)

.....

.....

Name and designation of the officer

.....

Seal, name & address of the Bank and address of Branch

\*Preferably at the headquarters of the authority competent to sanction the expenditure for the procurement of goods or at the concerned district headquarters or the state headquarters.

**Detailed Technical Specifications**

**Furniture specifications and requirements**

1. Warranty Period: 05 Years

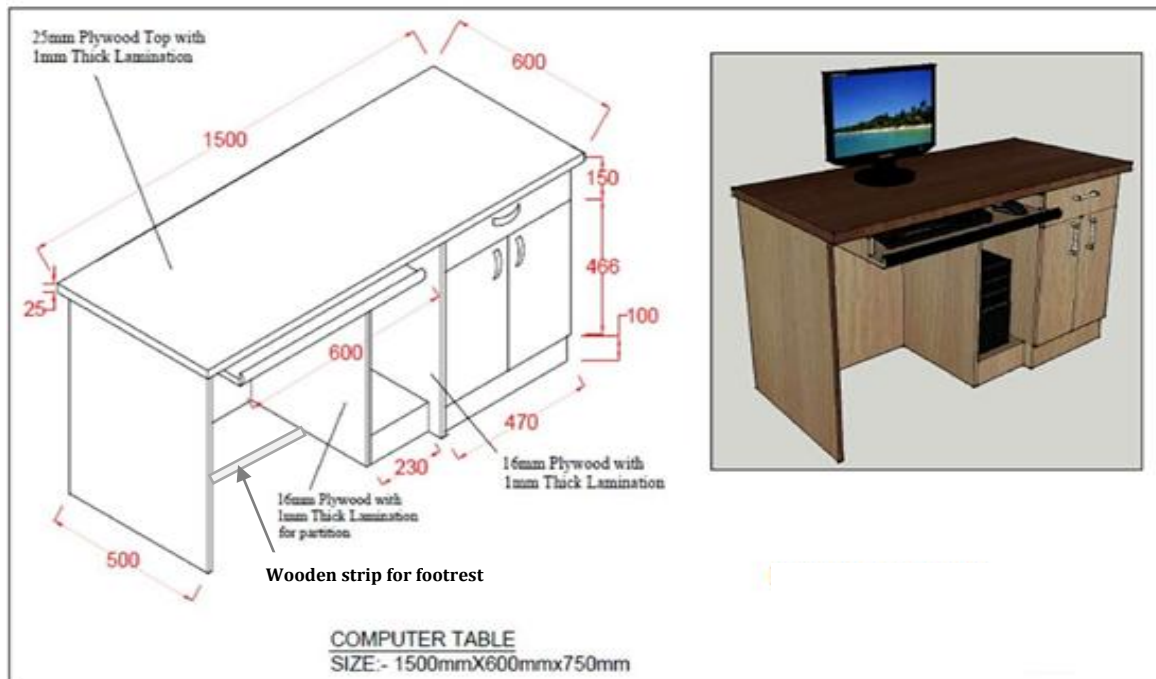
<b>Sl. No.</b>	<b>Particulars</b>	<b>Qty</b>
1	Computer Table (size: 1500mmx600mmx750mm)	01
2	Ergonomic/ Executive Chair	01
3	Visitors chair with cushion	03
4	Steel Almirah	01
5	Bookshelves (Steel Bookshelf with Glass door)	01
	<b>Total Qty</b>	<b>07</b>

**Note:**

1. The drawing is tentative, and the requirement should be as per the specification.
2. The bidder has to specify item wise price of the above-mentioned particulars.



### Sl.No. 1) Computer Table: Quantity - 01



Manufacturing, Supplying, and Installation of Computer Table made by using marine plywood (Exterior Grade) BWP Grade conforming to IS:710 with 25mm thick for tabletop and 2 side supports, 16mm thick for middle supports, front side, C.P.U rack, door cabinet, drawers, and 6mm thick plywood for the drawer bottom. All the plywood surfaces should be laminated (thermosetting lamination of approved make and quality) with 0.8mm thick for the internal surface and 1 mm thick for the external surface. All cut edges of Plywood shall be covered & sealed with PVC edge banding tapes with 2mm thick on exposed edges and 0.8mm thick on all unexposed edges pressed with PUR waterproof glue using a fully automatic edge banding machine at the required temperature. All joinery fabrication work shall be done with mini fix fittings, plastic dowels, modular clips, screws, lock, hinges, SS handles, sliders, nails, adhesives, washers, bush etc. made of approved make as per

Size:1500mm x 600mm x750mm. **Wooden strip for footrest is required.**

**Sl.No. 2) Ergonomic/ Executive Chair: Quantity- 01**



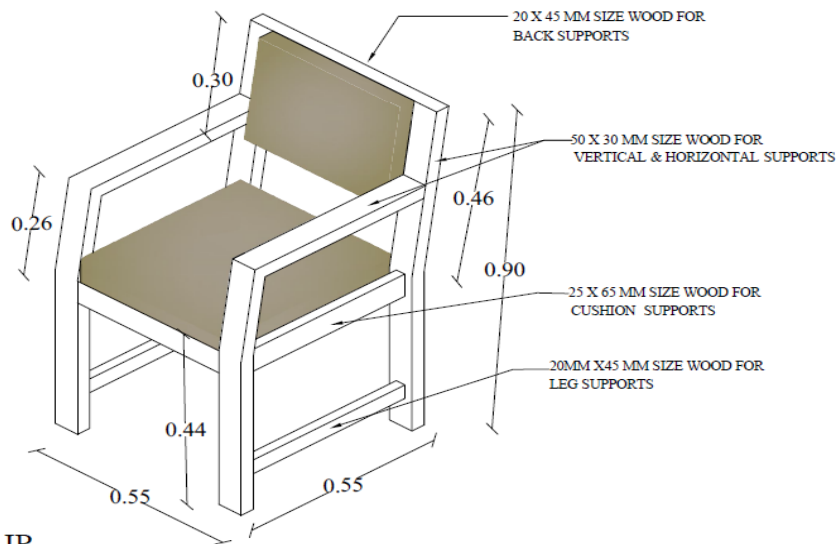
D1

Supply of High Back head rest Gas Lift Chair. High Back mesh Chair having seat and Back made out of 12mm moulded hot pressed plywood in ergonomic shape fitted with Imported T - nuts and riveted in to the wood. Mesh Back on Frames. Upholstery: Cushion with pre moulded foam of 50-60 density in the shape of plywood. Density - 52 kg/m<sup>3</sup>. The steel components of the Synchro mechanism are fabricated by using Co2 welding process for giving uniform surface finish with higher tensile strength. Springs are made out of Grade 2 material. Composite release levers mechanism for locking and Gas lift height adjustment. Pneumatic Gas lift -Class 4 tested -ANSI BIFMA performance standards. Tension Adjustment Knob placed at bottom of seat. Polypropylene injection moulded Armrests. The 640mm dia (26inches) five-pronged Base is Made out of nylon Reinforced with bottom ribbing for additional butters and strength. Tested prudently and rigorously as per ANSI/BIFMA X5.1-2011 General Purpose Office Chair Standards. Castors - Twin Castors 50mm dia castors complying to ANSI/BIFMA X 5.1-2002

**Sl. No. 3) Visitor's Chair with cushion (Wooden) – Quantity - 03**

Supplying of Wooden chair with cushion seat and backrest made by using mahogany wood of size 50mm x 30mm size for vertical, horizontal supports, 25mm x 65mm size for cushion supports. 20mm x 45mm size for back supports and leg supports. All the wooden sizes are finished thickness. All the internal and external surfaces of wood should be treated with sanding sealer mixed with thinner, after rubbing with zero size sand paper and applying sealer coat by way of spraying with necessary compressor and after rubbing with steel wool, applying two coats of approved shade of melamine Interior grade matt finish to provide anti-scratch and anti-stain properties (second coat of polish to be applied after drying of first coat) of approved make and approved colour to give good finish as per the specification. The seat and backrest should be covered with 50 mm thick 32 density moulded rubber with fabric should be of Cotton material, with 10mm thick marine plywood for seat and 6 mm thick marine plywood for back-supports. The work should be completed as per the detailed drawing and directions of the work in charge.

Size: 0.55 M (L) x 0.55M (W) x 0.90M (H)



**WOODEN CHAIR**

( SIZE : 0.55(L) X 0.55(W) X 0.90(H)

**Sl.No. 4) Steel Almirah - Quantity - 01**

Sheet Thickness of door, Sheet Thickness of sides,back , Top and BottomSheet Thickness of Shelves	Combination of 18 to 20 Guage
Material of Lock	Steel with zinc plated finish having brass levers, bolts and handle having zinc plated finish
Material of Keys	keys with nickle plated finish
No of shelves (Nos)	4
Type of Shelves	Adjustable
Number of Doors (Nos)	2
Door Stiffner	Should be provided upto full door height
Number of Hinges for doors	3 Nos
Construction	Welded
Lock	Three Way bolting device controlled by 6 lever lock
Height (Without Pedestal) (in mm)	1970 to 1990
Width	903 to 917 millimeter
Depth	481 to 491 millimeter
Width of Stiffner	120 to 130 mm
Thickness of MS Sheet of Stiffner	0.8 mm or greater
Stiffened Pedestal height in mm	123 to 127
Pedestal Width in mm	78 to 82
Material used for almirah door, body, shelves, pedestal, stiffner must be of MS sheet grade 340. All parts of almirah door, body, shelves, pedestal should be powder-coated finish and colour preferred is prince grey.	



**Sl. No. 5) Bookshelves (Steel Bookshelf with Glass door) – Quantity - 01**

Supplying of Steel Filing Rack made by using prime quality CRCA steel with complete anti-rust treatment. All Steel components should be made up of CRCA (cold rolled close annealed steel) sheet, painting should be done by an automatic airless electrostatic process using Alkyd amino paint, oven baking at uniform temperature ensuring hard and scratch-free surfaces. Special 3-way bolting device which interlock body both at the top and bottom. Steel Filing Rack should have 6 shelves with glass doors. Construction & Material - Welded Construction 0.8 mm thick CRCA for back, 0.9mm thick CRCA for shelf & all other components. Configuration (Door) - Full Height Steel Hinged Door, with 4mm thick plain glass Locking & Handle - Mazak Handle 3 way locking mechanism with shooting bolt arrangements. Shelving - Height wise Adjustable Shelf Mounting Uniformly Distributed Load capacity per each full shelf is 80 Kg maximum. Plain 4 Nos. of Adjustable Full Shelves. Leveller - 410 screw type leveller with hex plastic base Finish - Spoxy Polyester Powder coated to the thickness of 50 microns (+/-10).

Size: 0.915m (W) x 0.485m (D) x1.98m (H)



STEEL ALMIRAH WITH GLASS DOOR

***\*\*Disclaimer\*\* Bidders are advised to exercise caution and not respond to any unknown calls, emails, or embedded links requesting payment for participating in the tender or for any other purpose. Please note that NITK Surathkal never asks for any tender fee for participation in tenders or bids.***